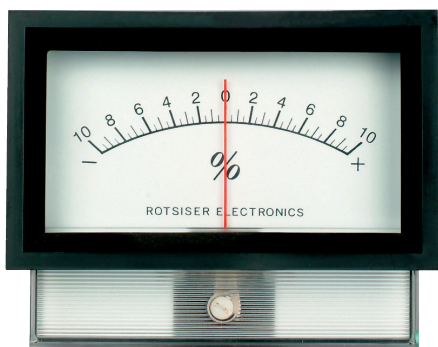
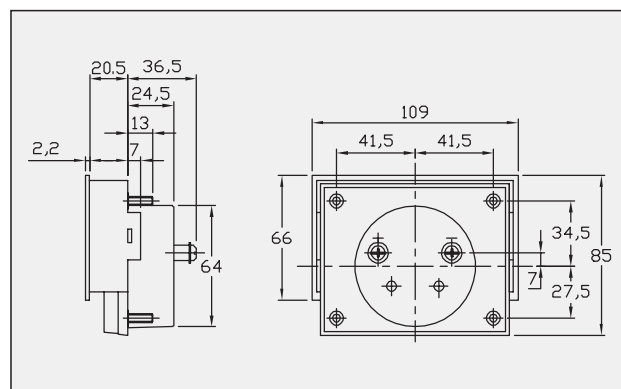
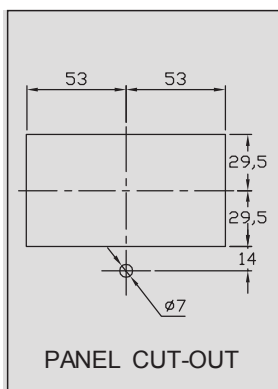


W Series



ST-100R



Measuring Ranges :

Moving Coil Type

Moving Iron Type

Rectifier Type

DC uA	DC mA	DC A	DC V	AC mA	ACA	AC V	AC V
50	1	1	3	50	1	150	10
100	5	5	5	100	5	250	15
150	10	10	10	150	15	300	20
200	50	20	15	200	20	500	30
250	100	30	20	250	30		50
300	150	50	30	300	50		100
500	200		50	500			150
800	300		100	800			200
	500		150				300
	800		200				500
			300				
			500				
			750				

- **Accuracy :** Moving Coil Type DC, Class 2.0
Moving Iron Type AC, Class 2.5
Rectifier Type AC, Class 2.0
- **Case and Composition :** Acrylic resin front and bakelite case.
Bevel mounting.
- **Color :** Black case and white scale plate.
- **Pointer Shape:** Tube type, color in black or red.