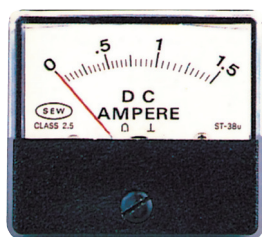
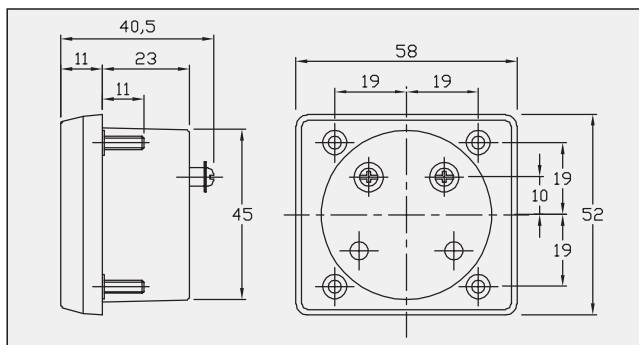
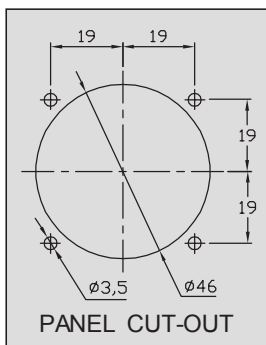


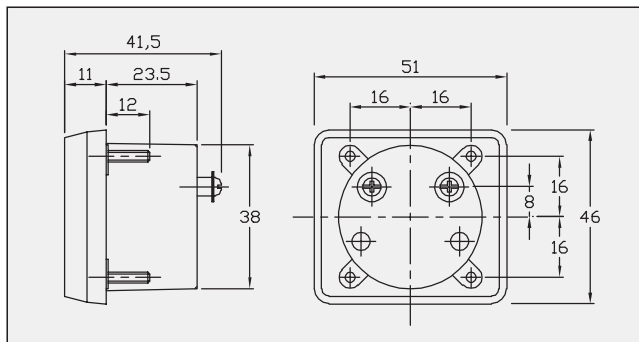
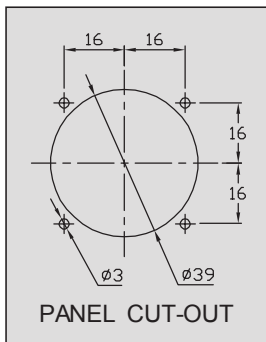
U Series & Thin Edgewise



ST-45U



ST-38U



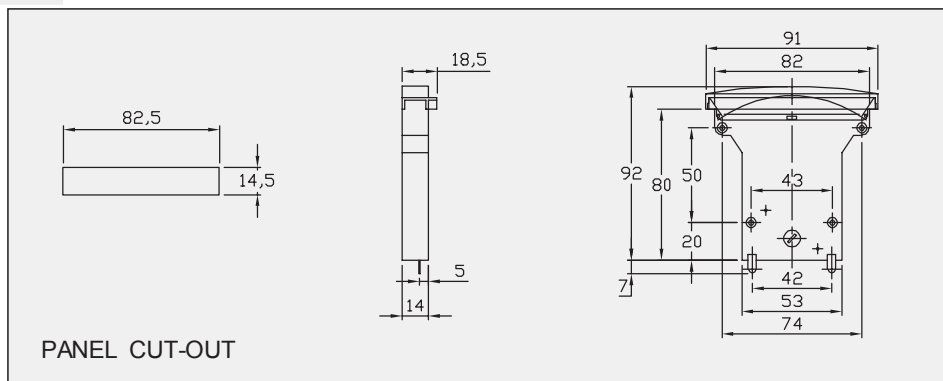
Measuring Ranges : Moving Coil Type

DC mA	DC A	DC V
1	1	5 50
50	5	10 100
100	10	15 150
200	20	20 200
300		30 300
500		

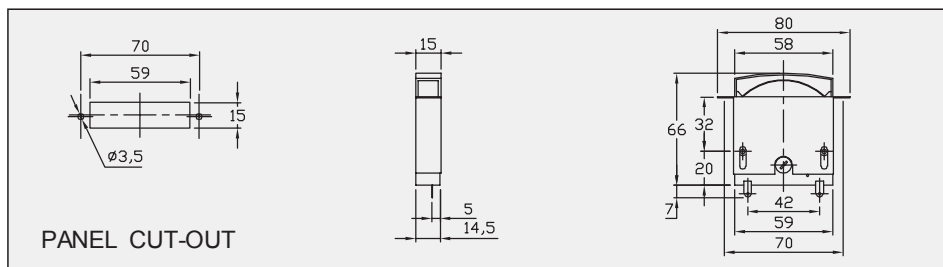
- **Case and Composition :**
Acrylic resin front and bakelite case.
Four studs mounting.
- **Accuracy :** Class 2.0
- **Color :** Black case and white scale plate.
- **Pointer :** Tube type color in red.



ST-90E



ST-58E



- **Movement :** Taut band suspension type.
- **Accuracy :** ± 2.5%
- **Mounting :** Horizontal or Vertical
- **Pointer :** Tube (Red)
- **Full Scale Deflection :** 60°
- **Measuring Range :** F.S. 1mA DC

Customer's specs are available